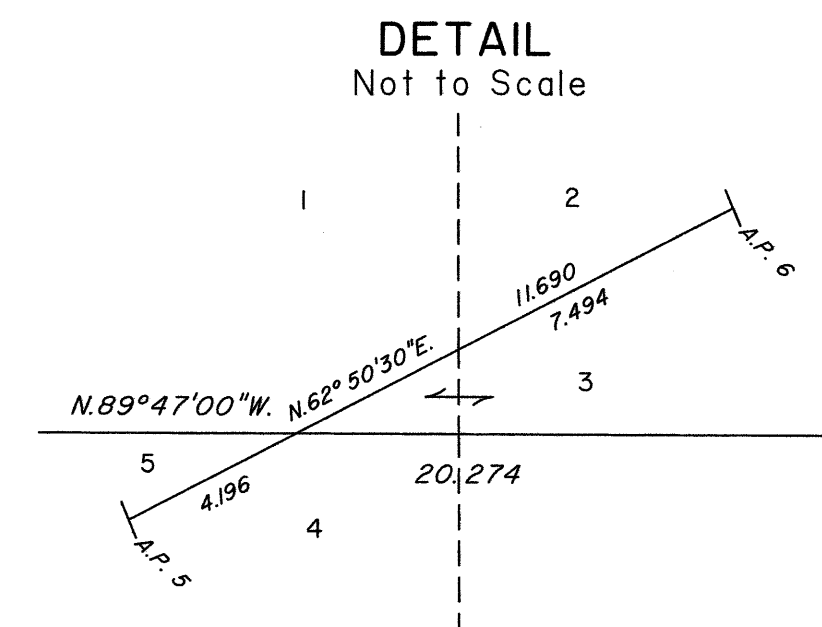
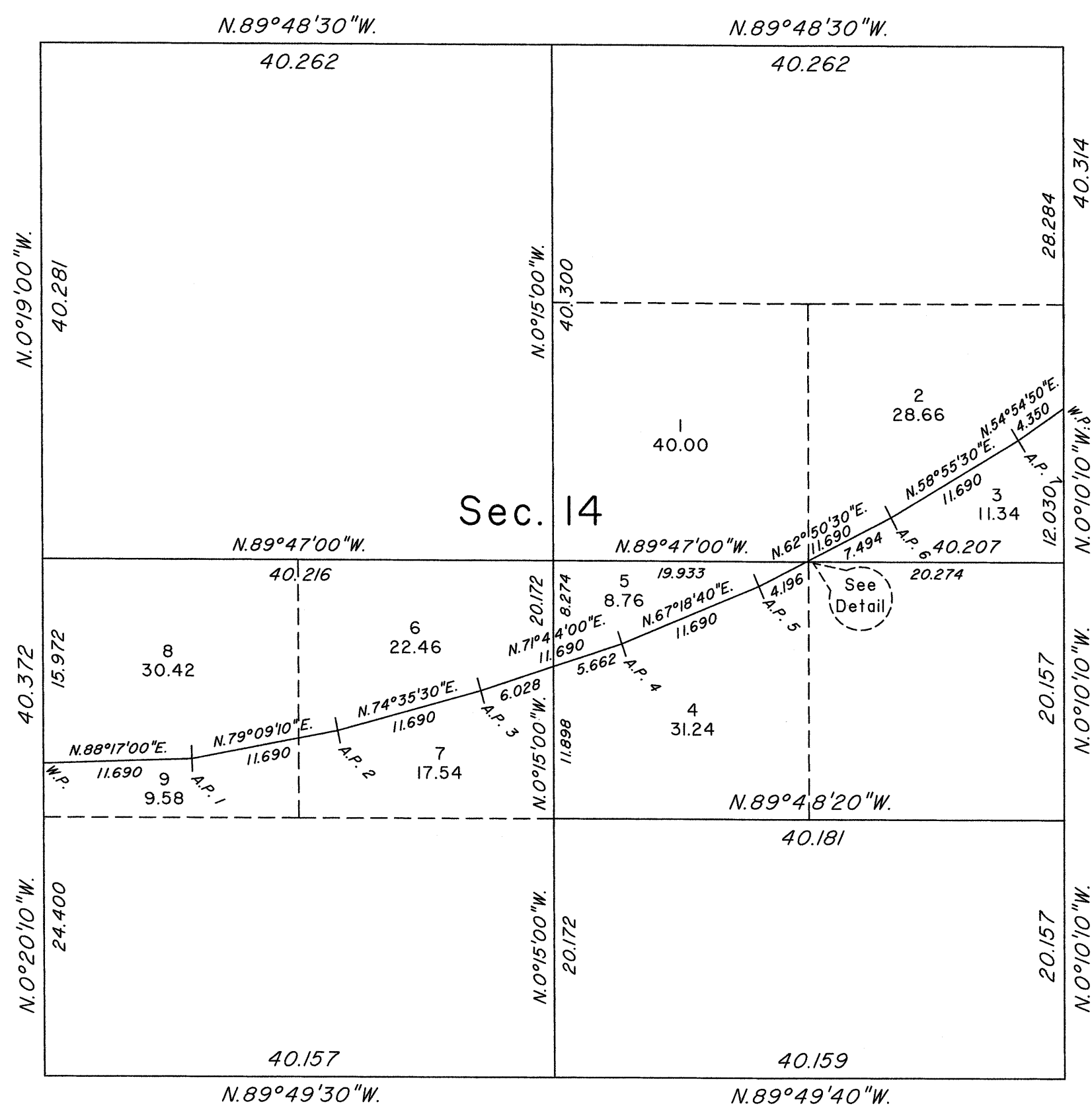


TOWNSHIP 19 SOUTH, RANGE 62 EAST, OF THE MOUNT DIABLO MERIDIAN, NEVADA

ENLARGED DIAGRAM OF SECTION 14

OFFICIALLY FILED
NEVADA STATE OFFICE
at 10:00 AM on
SEP 12 2016



Reference should be made to Sheet No. 1 for survey information.

UNITED STATES DEPARTMENT OF THE INTERIOR
BUREAU OF LAND MANAGEMENT

Reno, Nevada September 1, 2016

This plat is strictly conformable to the approved field notes, and the survey, having been correctly executed in accordance with the requirements of law and the regulations of this Bureau, is hereby accepted.

For the Director

Chief Cadastral Surveyor for Nevada

